

VARIA Series



VARIA Series

Focal Length	13mm	25mm	50mm	100mm
F#	2.0	2.0	2.0	2.0
Wavelength	8–12 μ	8–12 μ	8–12 μ	8–12 μ
Image Diagonal (mm)	21	21	21	21
Stop size (mm)	12.4	12.4	12.4	12.4
Stop position (mm)	25.4	25.4	25.4	25.4
BWD (mm)	33.1	33.1	33.1	33.1
Flange to F.P. (mm)	39.4	39.4	39.4	39.4
Mount Type	B	B	B	B
***Circular FOV	75°	45°	23°	11°
Weight (g)	340	284	284	766
**Min. Obj. Dist. (mm)	75	200	500	1750
Focus Type	M	M	M	M
*Transmission (typical)	95%	95%	95%	93%

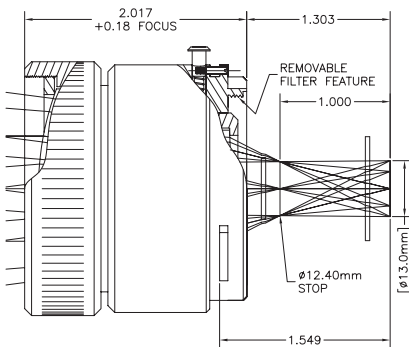
***Based on the listed Image Diagonal, FOV will vary depending on focal plane size.

**Closest an object can be focused in on.

*Over the primary waveband, 8 μ –12 μ

B = Bayonet mount

M = Manual focus



VARIA Lenses

This line is designed in support of cooled LWIR systems. These high performance long wave focal planes do not require the fast F# as do the uncooled type. This makes the Varia line an economical choice, while still maximizing the camera performance. It has similar mechanical features as the Asio line, which allows for the use of the bayonet mount and the same accessories.