

TYTO Series



TYTO Series

Focal Length	18mm	25mm	50mm	100mm	150mm
F#	1.0	1.0	1.0	1.0	1.0
Wavelength	7–14 μ	7–14 μ	7–14 μ	7–14 μ	7–14 μ
Image Diagonal (mm)	21	21	21	21	21
Stop size (mm)	n/a	n/a	n/a	n/a	n/a
Stop position (mm)	n/a	n/a	n/a	n/a	n/a
BWD (mm)	13.4	13.4	11.7	10.4	10.4
Flange to F.P. (mm)	19.8	19.8	19.8	10.9	10.9
Mount Type	T	T	T	F	F
***Circular FOV	58°	43°	22°	11°	7.5°
Weight (g)	284	370	284	1530	2500
**Min. Obj. Dist. (mm)	50	200	500	2500	n/a
Focus Type	M	M	M	MT	MT
*Transmission (typical)	93%	93%	93%	93%	93%

***Based on the listed Image Diagonal, FOV will vary depending on focal plane size.

**Closest an object can be focused in on.

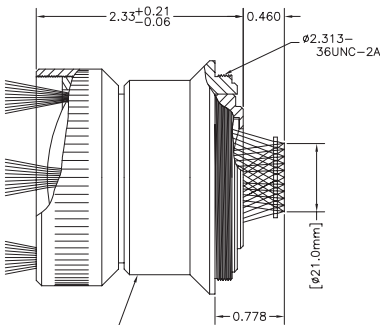
*Over the primary waveband, 8 μ –12 μ .

T = Threaded mount

F = Flange mount

M = Manual focus

MT = Motorized focus



Focus may be locked
with #4–40 SET SCREW
SOFT TIPPED RECOMMENDED (NOT SUPPLIED)

TYTO Lenses

Designed with a very short back working distance, this line of lenses strives to be as compact as possible. With the absence of a stop location, this line is the perfect candidate for uncooled LWIR systems. It is also standard practice to judge imager performance using F/1.0 optics, such as the lenses of the Tyto line.